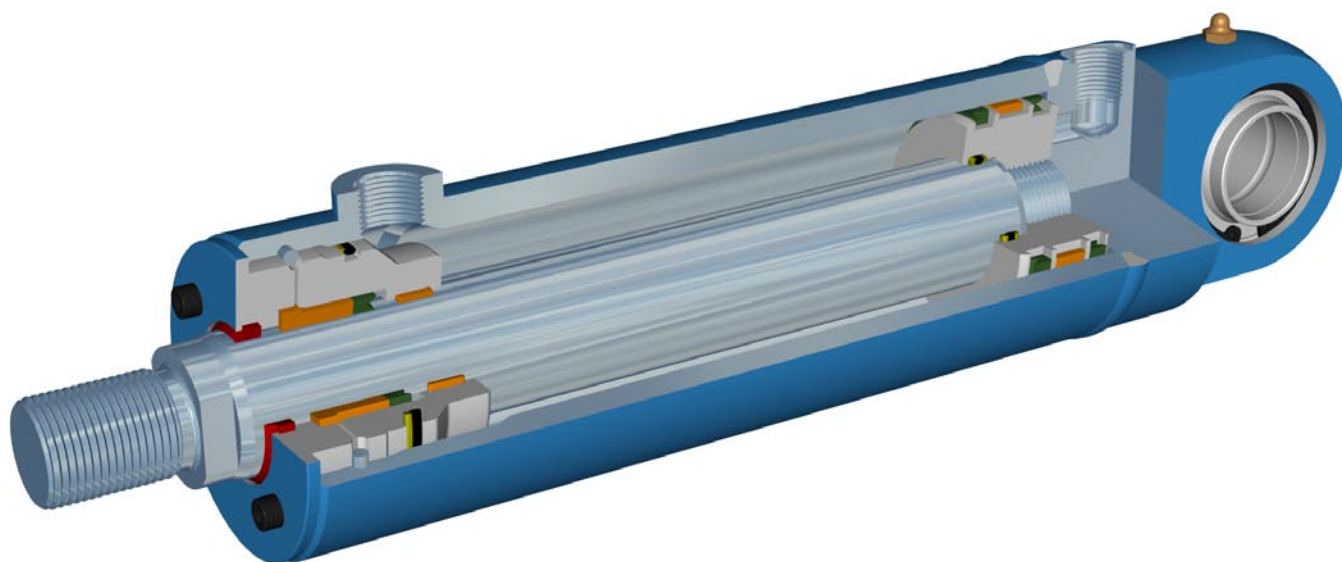


HYDRAULIC CYLINDER SERIE S-160



ARCOS STANDARD CYLINDER – S-160

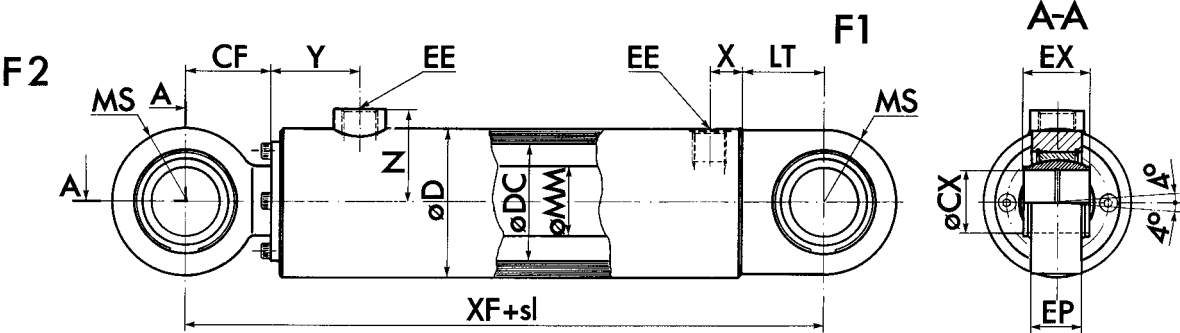
S-160 for working pressure 20/30 MPa (16/25 Mpa for acid-proof cylinders)

The S-160 cylinder is designed for medium heavy industrial use and heavy mobile use. In close co-operation with our customers we have met the demands of optimal function and simplicity in maintenance, at a low cost. The cylinder is built in two steel qualities; SS 2172 and acid-proof steel, SS 2343. The S-160 is painted as standard but if better protection from corrosion is required the cylinder can be covered with chemical nickel. The cover does not protect the cylinder from oxidising acids, but is protecting against acidity from pH 4 and upwards.

S-160

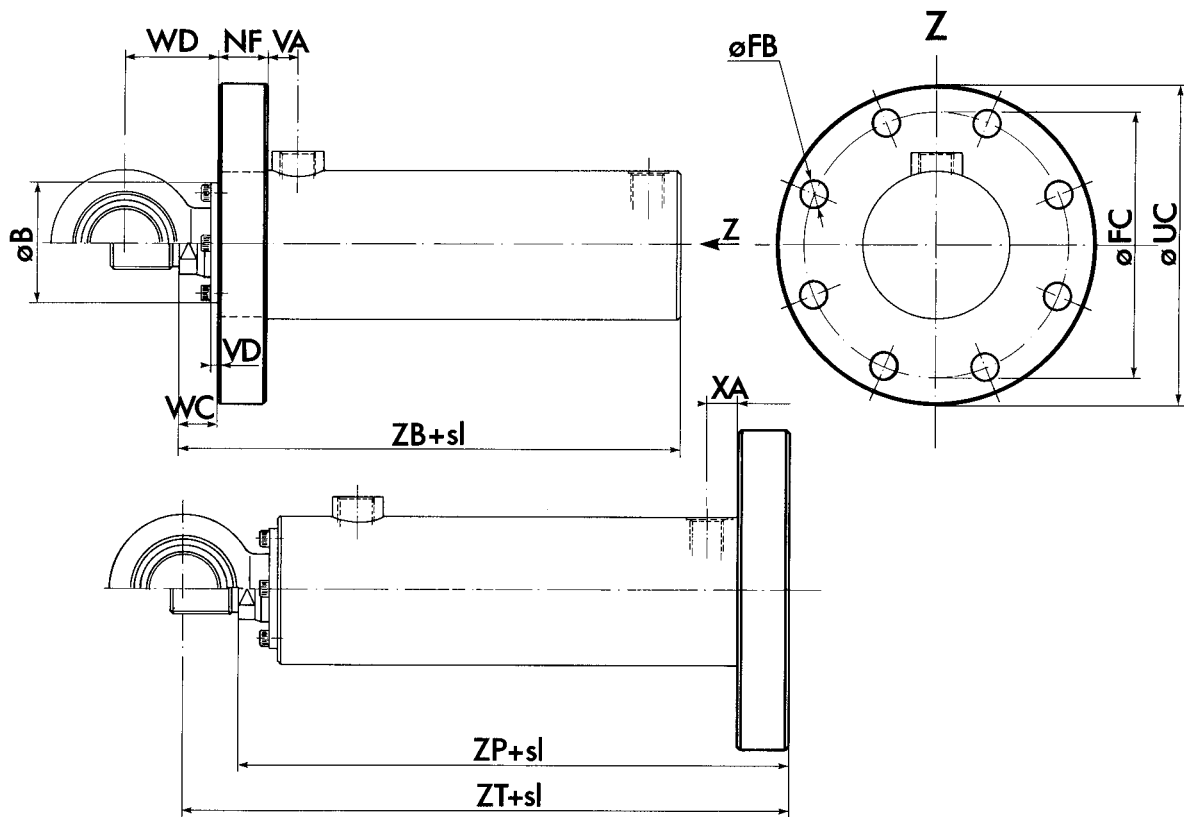
- is a double-acting hydraulic cylinder for medium heavy industrial use and heavy mobile use.
- can be fitted with six different mountings.
- is designed according to ISO-Standard 6020-1.
- is designed so that there is no metallic contact between moving parts.
- is available as standard in two steel qualities; construction steel SS 2172 and acid resistant steel SS 2343.
- is as standard equipped with two types of U-seal, for mobile use the cylinder is also equipped with compact seals on the piston.
- is available as standard in eight dimensions, from Ø 40 to 200 mm.
- is designed for high availability, long life span and easy maintenance.

Basic design S-160



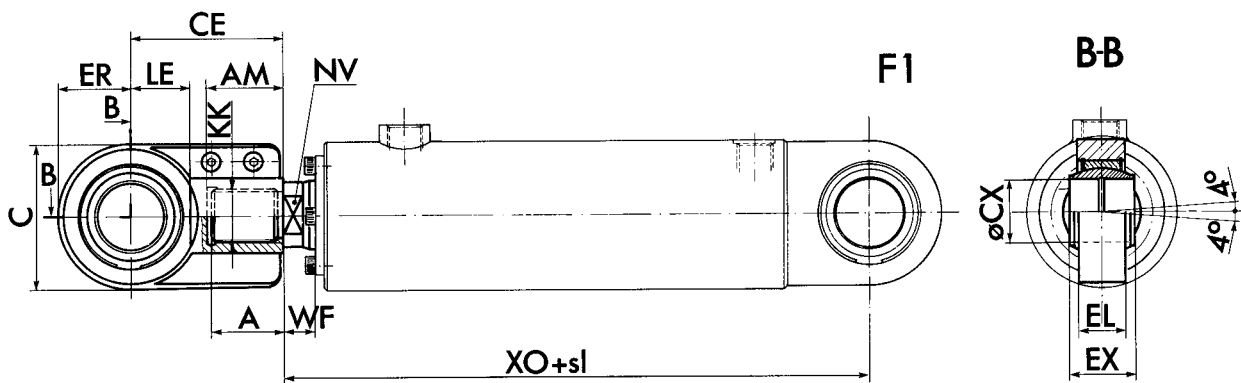
Cyl. dim.		Piston rod.		SS2172	SS2343										
DC	mm	D	D	CF	CX	EE	EP	EX	LT	MS	N	X	Y	XF+	
mm	mm	mm	mm	mm	mm		mm	mm	mm	mm	mm	mm	mm	mm	
40	22	55	55	33	20	R 1/4"	18	20	25	25	35	12	44	178	
50	28	65	68	37	25	R 3/8"	23	25	32	30	41	15	52	203	
63	36	75	78	46	32	R 1/2"	30	32	40	37	48	17	53	230	
80	45	100	99	58	40	R 1/2"	35	40	50	45	58	17	54	255	
100	56	120	124	73	50	R 3/4"	40	50	63	55	71	20	58	305	
125	70	145	148	90	63	R 3/4"	50	63	71	70	82	20	60	345	
160	90	185	188	110	80	R 1"	70	80	90	90	102	30	67	410	
200	110	229	234	130	100	R 1"	90	100	112	110	122	35	72	485	

S-160 MF3/MF4



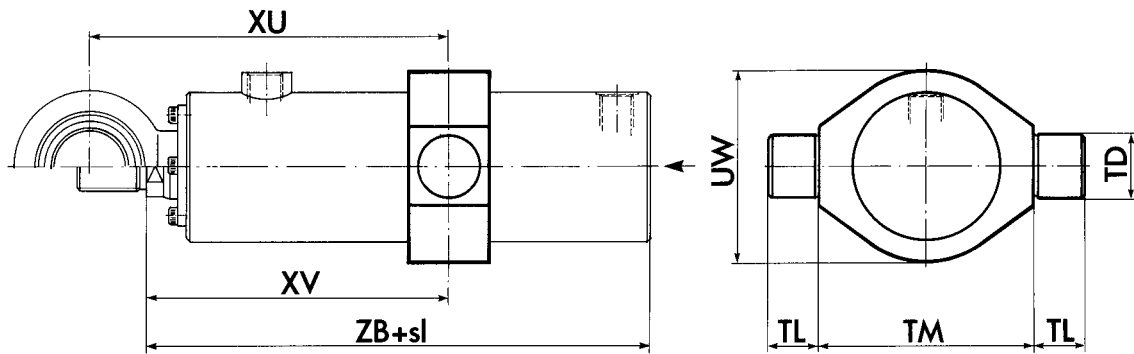
Cyl. dim.	B	FB	FC	NF	WC	WD	VD	UC	YA	XA	ZB+	ZP+	ZT+
mm	mm	mm	mm	mm	mm	mm	mm	mm	mm	mm	mm	mm	mm
40	50	9	106	16	16	36	3	125	25	12	133	149	169
50	60	11	126	20	18	41	4	150	28	15	148	168	191
63	70	14	145	25	20	50	4	175	24	17	160	185	215
80	85	18	165	32	22	62	4	200	18	17	165	197	237
100	106	22	200	32	25	78	5	240	21	20	189	221	274
125	132	22	235	32	28	95	5	285	23	20	207	239	306
160	160	22	280	36	30	115	5	330	26	24	235	265	350
200	200	26	340	40	35	135	5	390	27	27	273	305	405

S-160 KG



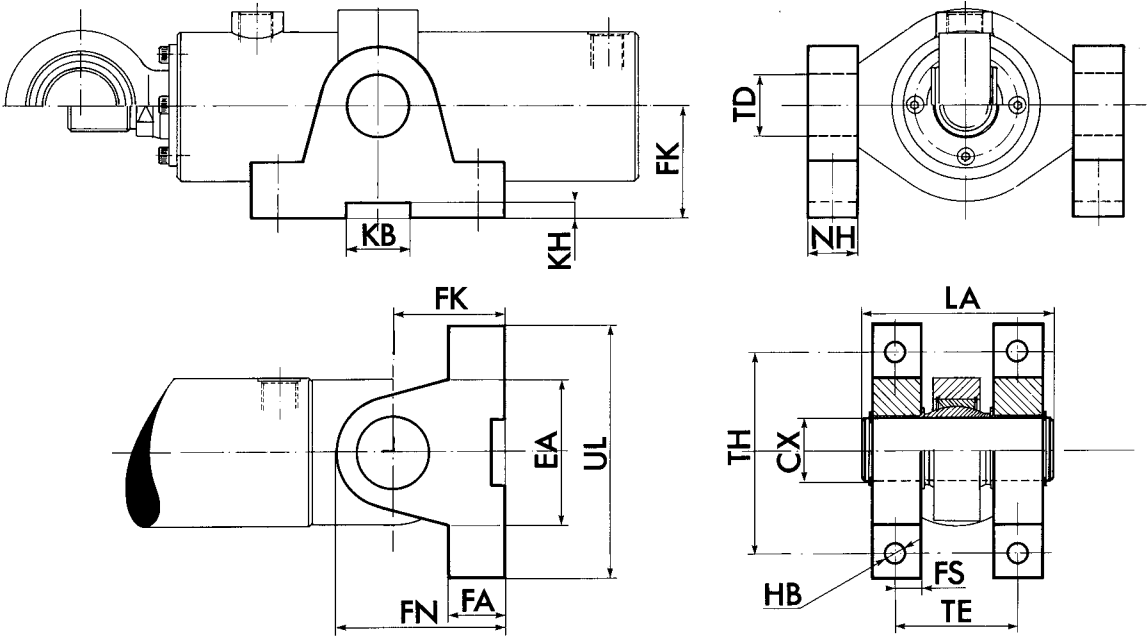
Cyl. dim.	A	AM	C	CE	CX	EL	ER	EX	LE	KK	NV	WF	XO+	Weight Seat KG
mm	mm	mm	mm	mm	mm	mm	mm	mm	mm	mm	mm	mm	mm	kg
40	22	23	47	52	20	17	25	20	22	M 16x1,5	17	13	158	0,40
50	28	29	54	65	25	21	31	25	27	M 20x1,5	22	14	180	0,66
63	36	37	66	80	32	27	38	32	32	M 27x2	30	16	200	1,20
80	45	46	80	97	40	32	49	40	41	M 33x2	36	18	215	2,05
100	56	57	96	120	50	40	59	50	50	M 42x2	46	20	252	4,45
125	63	64	114	140	63	52	71	63	62	M 48x2	55	23	278	7,60
160	85	86	148	180	80	66	90	80	78	M 64x3	75	25	325	14,50
200	95	96	178	210	100	84	112	100	98	M 80x3	95	30	385	28,00

S-160 MT4



Cyl.dim. DC H10	TD f8	TL	TM	UW	XU min	XU+ max	XV min	XV+ max	ZB+	minstroke.	Weight MT4
mm	mm	mm	mm	mm	mm	mm	mm	mm	mm	mm	kg
40	20	16	90	70	115	100	95	80	133	15	0,70
50	25	20	105	85	130	110	110	90	148	20	1,10
63	32	25	120	95	150	120	120	90	160	30	1,70
80	40	32	135	120	165	130	125	90	165	35	2,30
100	50	40	160	150	195	150	145	100	189	45	4,10
125	63	50	195	180	220	175	155	110	207	45	8,40
160	80	63	240	217	260	190	180	110	235	70	16,20
200	100	80	295	270	295	225	200	130	273	70	28,20

Bearing Brackets



Cyl. dim.	CX	EA	FA	FK	FN	FS	HB	KB	KH	LA	NH	TD	TE	TH	UL	Weight kg
mm	mm	mm	mm	mm	mm	mm	mm	mm	mm	mm	mm	mm	mm	mm	mm	per par
40	20	45	20	45	65	10	11	16	4,3	70	20	20	42	60	85	1,1
50	25	60	25	50	75	12,5	14	25	5,4	87	25	25	52	80	110	1,8
63	32	70	30	60	90	15	18	25	5,4	100	30	32	64	110	150	3,2
80	40	90	35	70	105	17,5	22	36	8,4	125	35	40	78	125	170	5,2
100	50	115	40	85	130	20	27	36	8,4	150	40	50	92	160	210	9,0
125	63	140	50	100	155	25	33	50	11,4	180	50	63	116	200	260	15,3
160	80	170	60	120	190	30	26	70	14,4	220	60	80	142	210	250	24,0
200	100	220	70	150	240	40	30	70	14,4	280	80	100	182	270	320	54,0



Teknikergatan 5
SE-781 70 Borlänge
Sweden

Tel. +46 (0)243-820 75
Fax +46(0)243-102 82
www.arcos.se